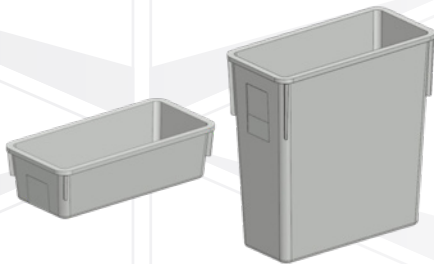


Smart Lab / Smart Feed

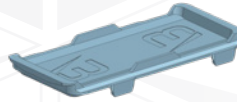
Components and accessoires

Flexible system for different container volumes (depending on crop type)

(Seed container 60 ml - 200 ml)

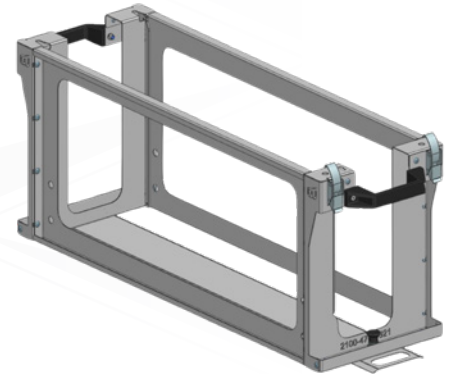


Lid for seed container



1x Magazine stack

(308 seed containers with 60 ml)



Cover plate

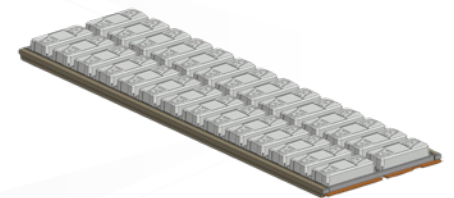


Carrier plate

(28 slots for seed containers)



Filled magazine plate



Lid remover for seed containers

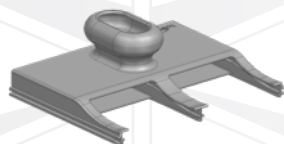
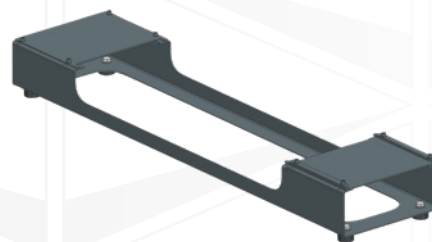


Table device for filling the carrier plate



Closing process with removing of the lids

